



8STA High Density



Description

8STA 12-43 High Density:
The compact & weight saving solution

A reliable & robust solution

- Same well proven shell design as standard 8STA
- Contact retention with metallic clip

Significant space saving

- Twice the number of contacts compared to size 12-35 / 22 contacts
- Two shell sizes smaller than a partially populated size 16-35 / 55 cavities



Applications

8STA High Density can be used in **Motorsport** applications (Rally, Endurance race, Formula 1, Moto GP) such as:

- Electronic boxes
- Junction boxes
- Harnesses

as well as in **Industrial** applications.

Technical features

Mechanical

- Shell: Aluminium alloy
- Shell plating: Conductive black zinc
- Insulator: Thermoplastic
- Grommet & seal: Liquid silicone rubber
- Contact: Copper alloy
- Contact plating: Gold
- Endurance: 500 matings/unmatings
- Vibration resistance: 15 to 20g, 100 to 3000 Hz
- Contact retention: 35 N

Electrical

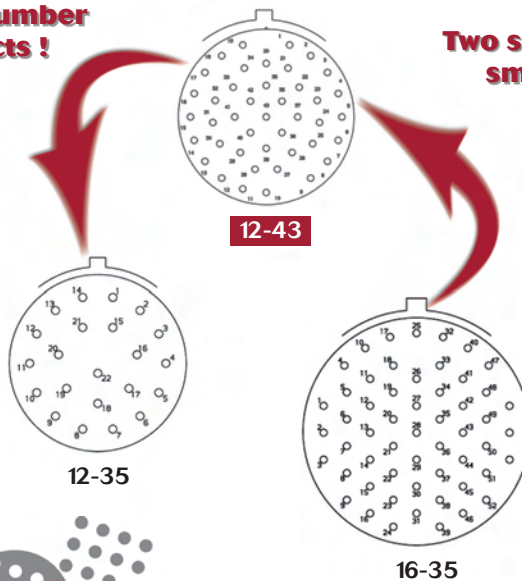
- Test voltage: 500 Vrms
- Contact resistance: 16 mΩ
- Insulation resistance: ≥ 5000 mΩ - at 500 Vdc
- Contact rating: 3 A
- Shell continuity: ≤ 10 mΩ

Environmental

- Temperature range: -55°C to $+175^{\circ}\text{C}$
- Sealing mated connectors: IP67 (1 metre for 30 min. minimum)
- Salt spray: 48 hours

Twice the number of contacts !

Two shell sizes smaller !





8STA High Density

Ordering information

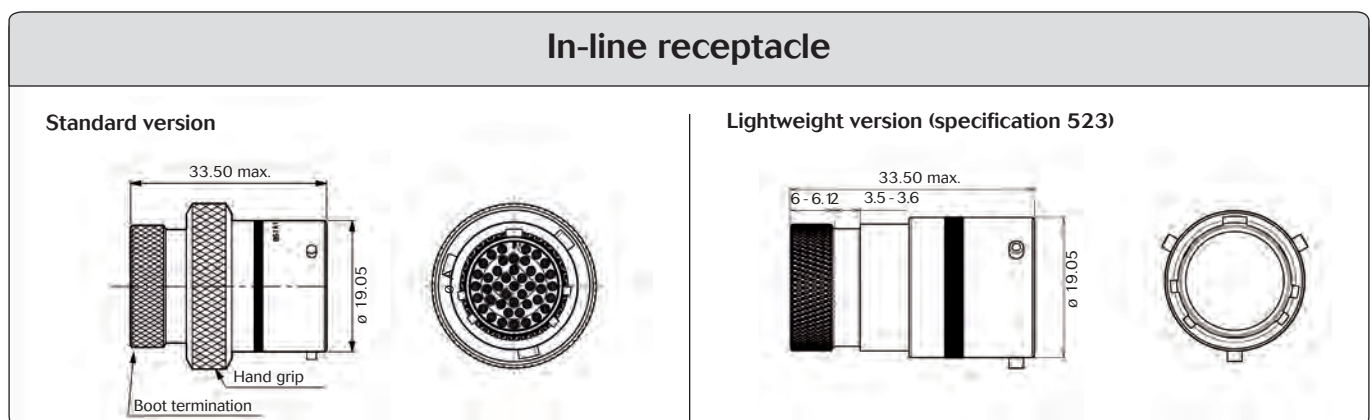
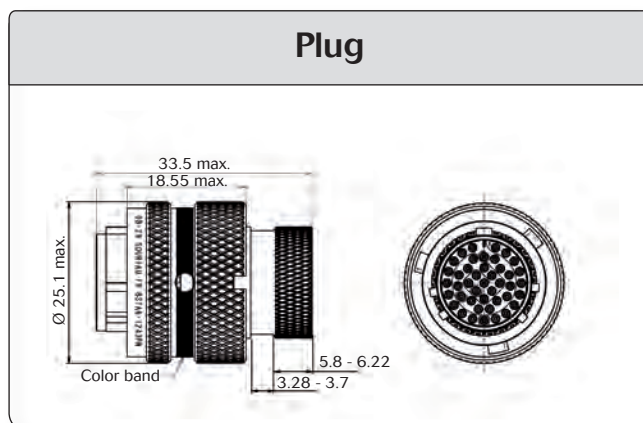
Connector

Basic series	8STA	0	12	43	P	N	-
Shell style	0: Oval flange receptacle 1: In-line receptacle 6: Plug 7: Jam nut receptacle						
Shell size	12						
Contact layouts	43 (43 contacts #26)						
Type of contacts	P: Pin contacts S: Socket contacts						
Orientations	N: Red / A: Yellow / B: Blue / C: Orange / D: Green / U: Universal						
Specification	- : Standard version 499: Integrated clinchnut on the flange - M3 insert (only for shell style 0 & 2) - for more details, refer to catalog 523: Lightweight In-line receptacle (shell style 1)						

Protective cap

Basic series	8STA	8	12
Shell style	8: Plug protective cap 9: Receptacle protective cap		
Shell size	12		

Range presentation

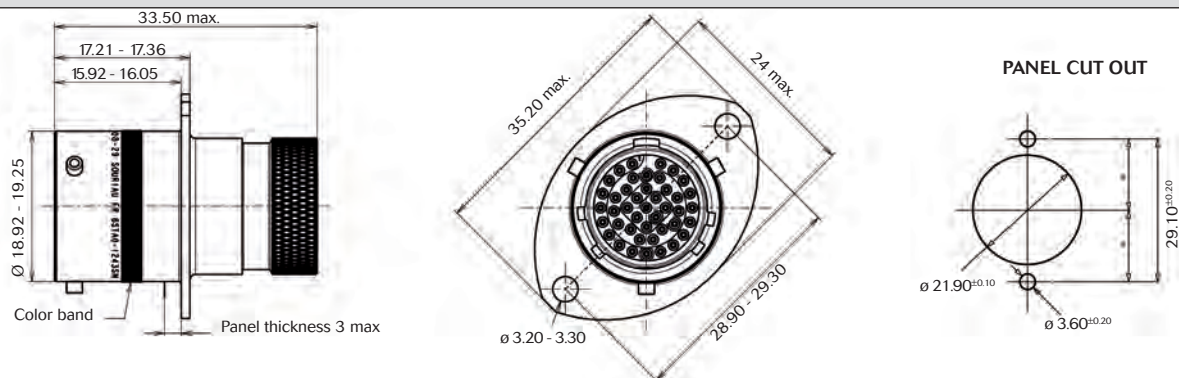


Note : all dimensions are in mm

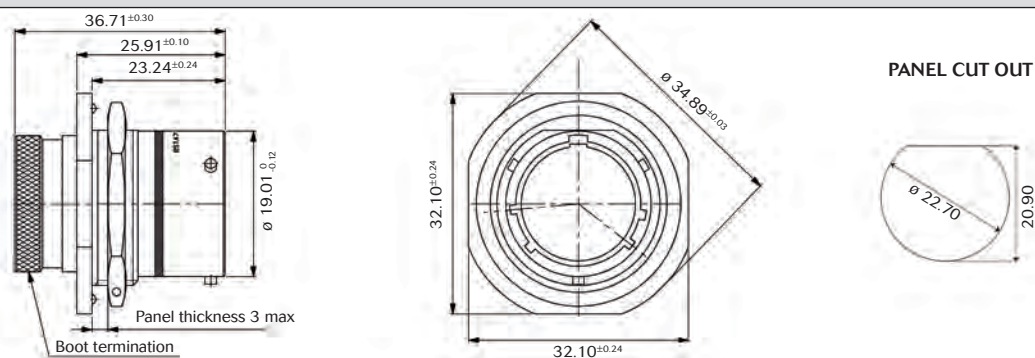
8STA High Density



Oval flange receptacle



Jam nut receptacle



Contacts

Crimped contacts

Contact size	Contact type	Contact Ø max.	Part numbers	Admissible wire section				External dia. over insulation (mm)	
				AWG		mm ²		Min.	Max.
				Min.	Max.	Min.	Max.		
Crimp contact				Min.	Max.	Min.	Max.	Min.	Max.
26 signal contact	Male	0.50	8599-0297	30	24	0.055	0.215	0.60	0.83
	Female		8599-0298						


Crimping tools

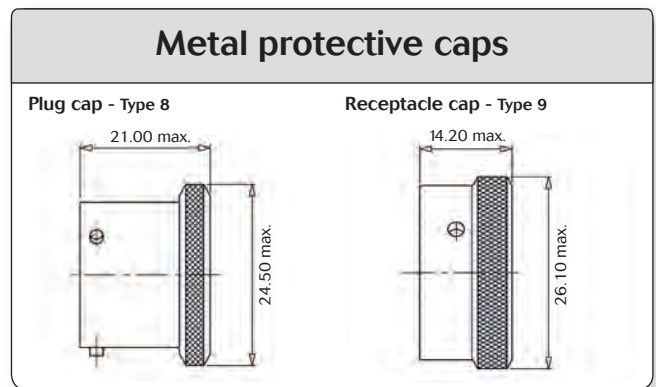
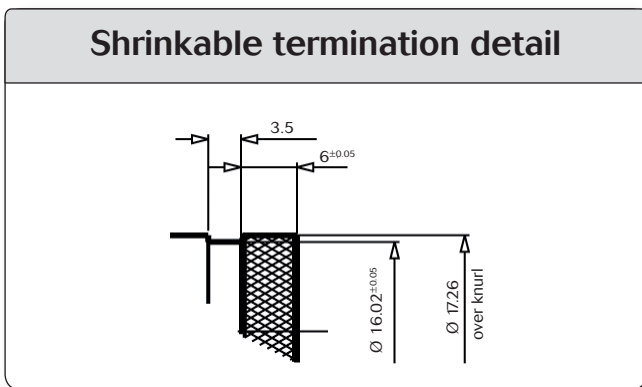
Contact size	Wire sizes	Type	Locator Part number	Plier Part number
			SOURIAU	SOURIAU
26	24 to 30	Male	8599-0397	M22520/2-01
		Female	8599-0398	



8STA High Density

Accessories

Insertion & extraction tool				
	Contact size	Part number	Colour	
	26	SOURIAU 8599-0399	Insertion	Extraction
			Black	White



For further information, visit our website www.motorsport-connectors.com
or contact us at contactindustry@souriau.com